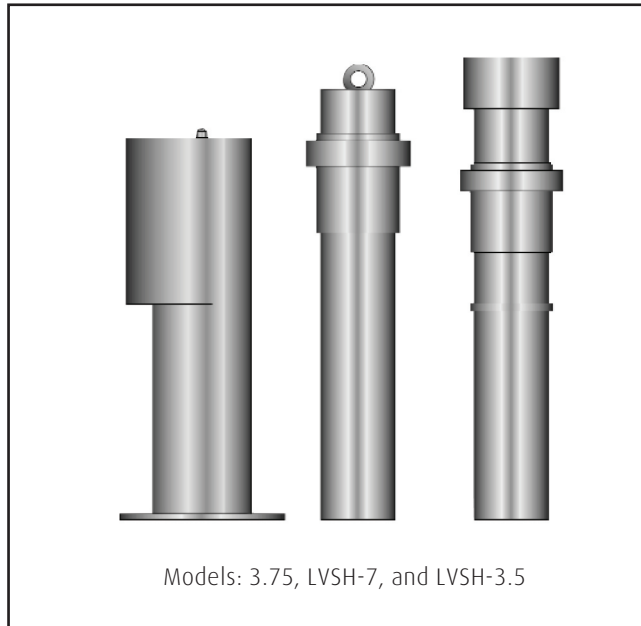


CO₂ SNOW HORNS.



- Benefits**
- Easily adaptable to most mixing equipment.
 - Subcooling in the annular cavity of the 3.75 snow horn creates higher conversion rates from liquid to snow while insulation eliminates condensation.
 - LVSH-7 feed ring with six opposing nozzles which dissipates high velocity energy allowing a gentle, uniform output of snow.
 - Precise temperature control when combined with a Linde control panel.

Linde's CO₂ snow horns provide a simple, cost-effective method to accurately control temperature conditions in your chilling operations. Designed and built to meet USDA requirements, Linde's snow horns are included in our standard chilling systems and are easily adaptable to most existing chilling operations.

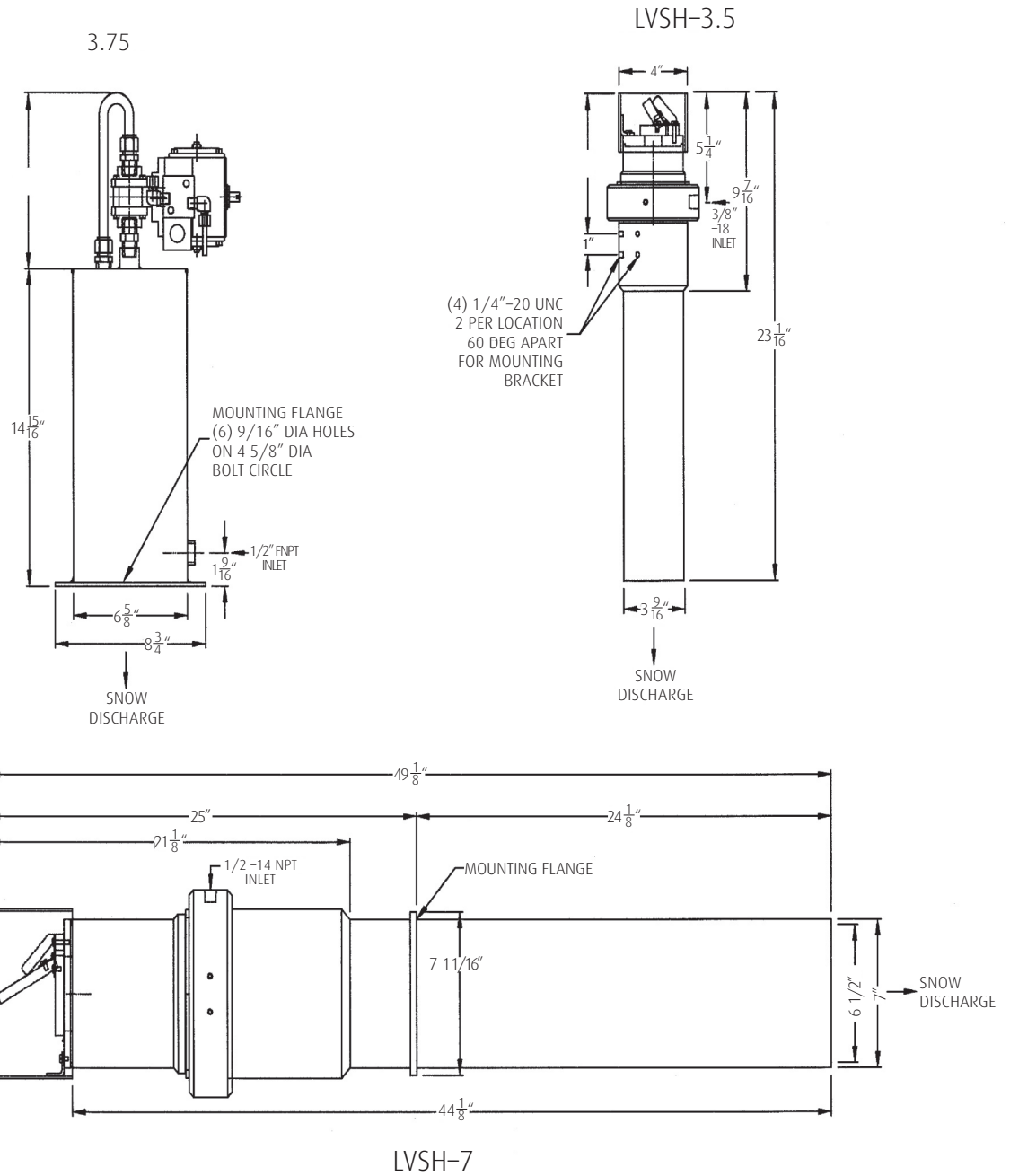
The stainless steel 3.75 model snow horn leads the Linde line. Its annular subcooling chamber design produces unparalleled efficiency in converting liquid CO₂ into fine CO₂ snow.

The unique design of the 3.75 model provides a "warm wall" to prevent condensation and snow build-up in the chamber, which affects uniformity of flow.

The LVSH-7 and LVSH-3.5 models deliver snow without costly CO₂ loss due to snow blowout sometimes encountered with conventional snow horns. Made of lightweight spun aluminum, their compact, patented low velocity design allow uniform placement of CO₂ snow when mixing time or snow distribution is critical.

To learn more about Linde's food chilling, freezing and packaging technology, contact your local Linde representative at the address and phone number listed on the back of this sheet.

CO2 SNOW HORNS Models: 3.75, LVSH-7, AND LVSH-3,5



Linde LLC
 575 Mountain Avenue
 Murray Hill, NJ 07974 USA
 Tel: 1-800-262-4273
 www.linde.com

Linde LLC is a member of the Linde Group. Linde is a trading name used by companies within The Linde Group. The Linde logo and the word Linde are trademarks of The Linde Group. Copyright The Linde Group 2009.